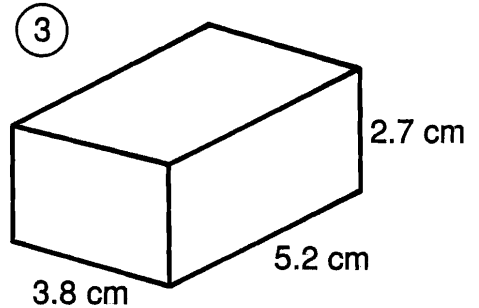
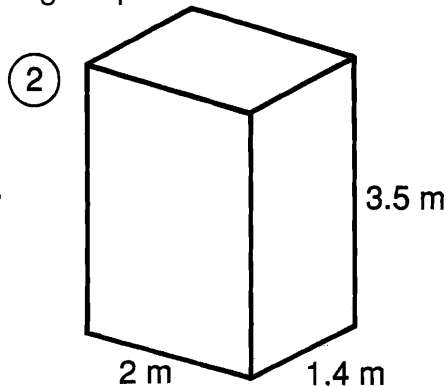
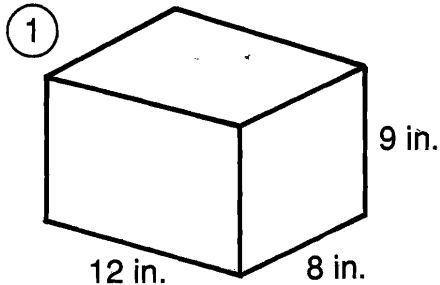


# What Movie Is about a Kid Who Ran Away from Home with His Bicycle?

Find each answer in the answer columns and notice the two letters next to it. Write these letters in the spaces over the exercise number at the bottom of the page.

I. Find the volume of each rectangular prism.



II. Solve.

- ④ A classroom is 26 ft wide, 32 ft long, and 9 ft high. What is the volume of the room in cubic feet?
- ⑤ A swimming pool is 20.6 m long, 8.5 m wide, and has an average water depth of 1.7 m. Find the volume of water needed to fill the pool.
- ⑥ If all the gold that has been produced in the last 500 years could be melted to form a single cube, each side would **measure** about 16 m. How many cubic meters of gold is this?
- ⑦ A refrigerator is 3 ft wide, 2.5 ft deep, and 6 ft high. The walls and other parts of the refrigerator take up 20 ft<sup>3</sup>. How many cubic feet are left for food?
- ⑧ Krispy Kritters Cereal used to come in a box with a volume of 2,850 cm<sup>3</sup>. However, The Krispy Kritters Co. designed a new larger box 22.5 cm wide, 6.2 cm deep, and 30 cm high. How many more cubic centimeters will the new box hold than the old box?
- ⑨ An aquarium weighs 22.5 lb when empty. The aquarium is 30 in. long, 14 in. wide, and is filled with water to a depth of 18 in. Water weighs 0.036 pound per cubic inch. How much does the aquarium weigh when it is full of water?

## ANSWERS

- (RU) 985 cm<sup>3</sup>    (ST) 6,118 ft<sup>3</sup>    (WI) 4,096 m<sup>3</sup>    (LA) 314.56 lb    (TH) 864 in.<sup>3</sup>  
 (NN) 297.67 m<sup>3</sup>    (CH) 53.352 cm<sup>3</sup>    (IN) 23.5 ft<sup>3</sup>    (GO) 1,335 cm<sup>3</sup>    (LE) 311.27 m<sup>3</sup>  
 (WI) 294.66 lb    (ES) 25 ft<sup>3</sup>    (NE) 9.8 m<sup>3</sup>    (PA) 3,986 m<sup>3</sup>    (TH) 7,488 ft<sup>3</sup>

8	2	6	1	4	7	3	9	5											