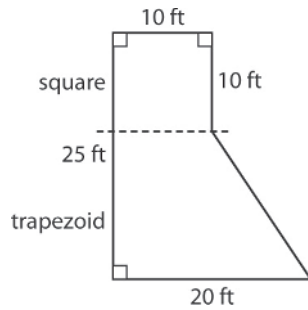
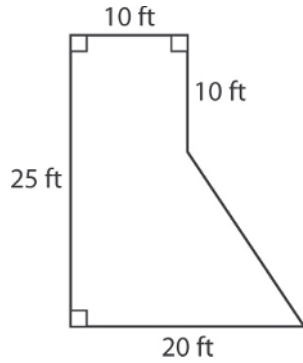


LESSON
9-4

Area of Composite Figures

Reading Strategies: Make Connections



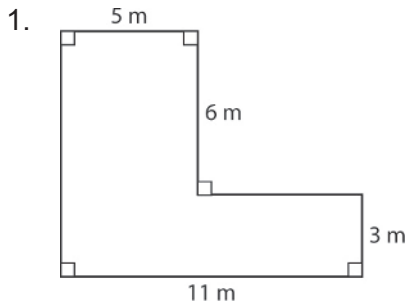
Shape	Area Formula
Triangle	$A = \frac{1}{2}bh$
Square	$A = s^2$
Rectangle	$A = lw$
Parallelogram	$A = bh$
Trapezoid	$A = \frac{1}{2}h(b_1 + b_2)$
Circle	$A = \pi r^2$

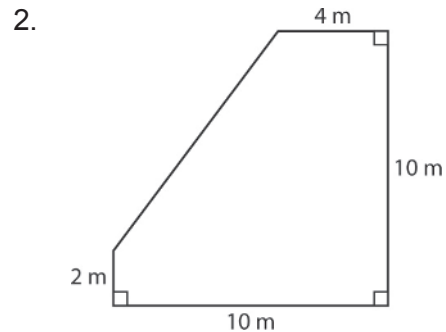
square = $s^2 = 10^2 = 100 \text{ ft}^2$

trapezoid = $\frac{1}{2} \cdot 15(10 + 20) = 7.5(30) = 225 \text{ ft}^2$

square + trapezoid = $100 + 225 = 325 \text{ ft}^2$

Find the area of each figure. Use 3.14 for π .





3. The figure shows the dimensions of a room. How much carpet is needed to cover the floor of the room?

